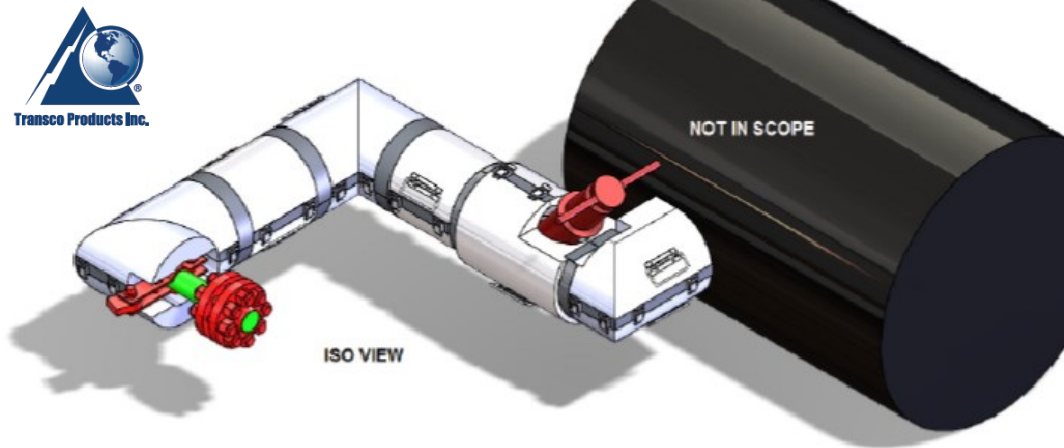


Shielded Mirror Reflective Insulation

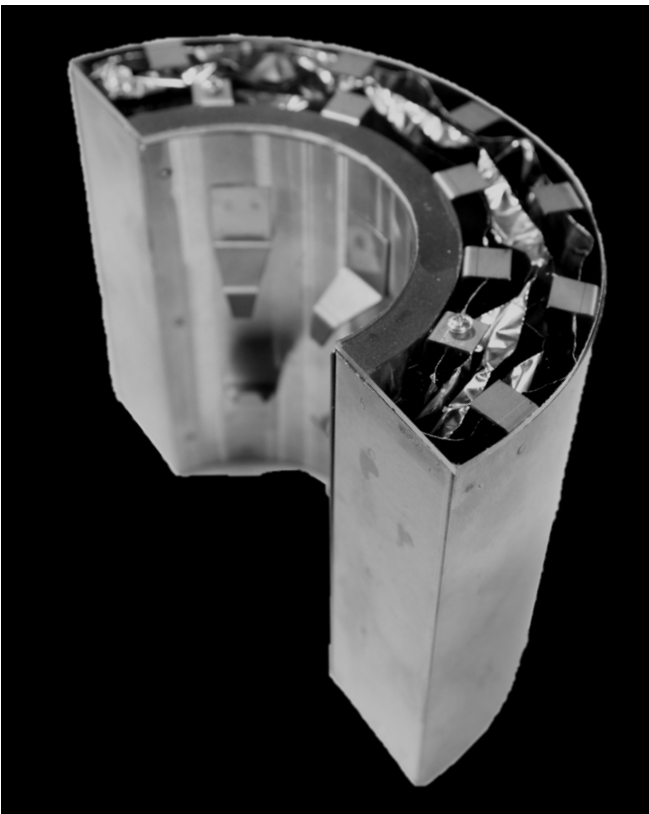
Permanent Shielding

npo®

A BRAND OF
EICHROM TECHNOLOGIES



NPO partners with Transco Products, Inc. to provide shielded mirror reflective insulation (SMRI).



Shielded mirror reflective insulation is intended for permanent application on pipes that are both hot in temperature and radiologically. An inner layer of shielding made from T-Flex®, solid lead, or stainless steel is added to Transco insulation. The amount of shielding is dependent on the amount of weight that can be added to the pipe. Two clamshell halves wrap around the pipe and are buckled together.

Shielded Mirror Reflective Insulation

Permanent Shielding

npe®

A BRAND OF
EICHROM TECHNOLOGIES



- Shielding kept to the inside diameter to maximize the amount of shielding and minimizing the amount of weight
- Pieces can be designed around interferences
- Straight sections as well as elbows and bend of varying degrees available
- Can be a one to one replacement for existing Transco insulation with the approval of engineering
- Installation services also available



1955 University Lane, Lisle, IL 60532 • 630.963.0320
Fax: 630.963.1928 • www.eichrom.com

Updated Apr 2017